

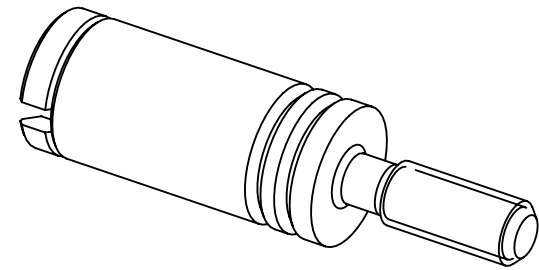
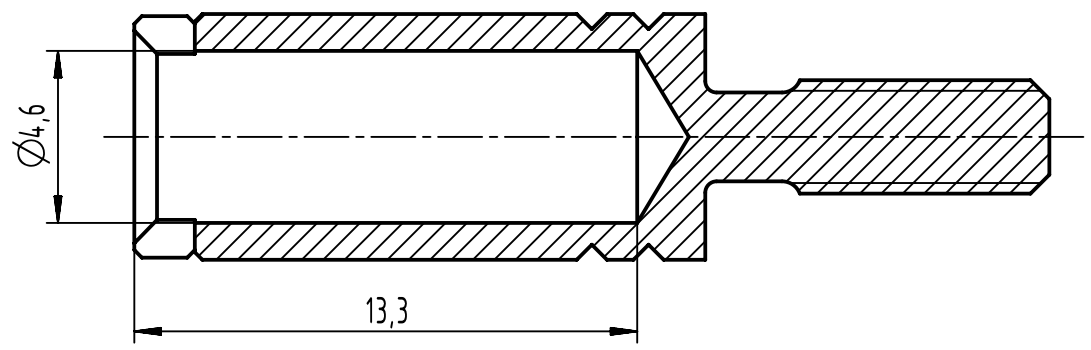
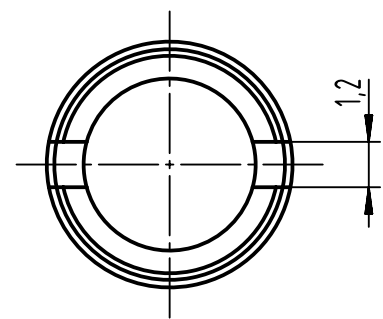
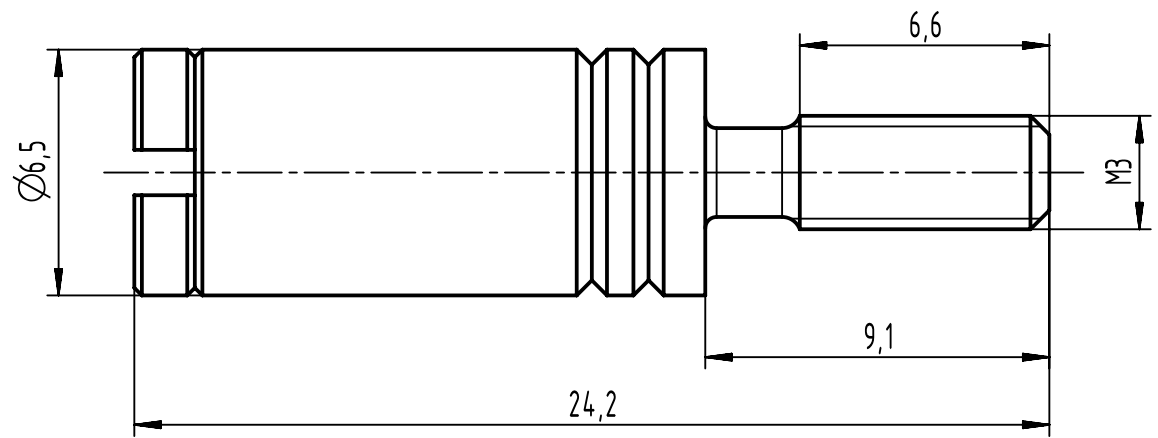
1 2 3 4 5 6


A

B

C

D



	All rights reserved		Created by HOLLERT		Inspected by NICHTERLEIN		Standardisation		Date 2021-10-01		State Final Release	
	Department EL PD		Title Han Modular guide bush		Doc-Key / ECM-Nr. 100547717/UGD/001/E 500000200442		Type TB		Number 09 14 000 9982		Rev. E	
HARTING D-32339 Espelkamp			All Dimensions in mm Original Size DIN A4		Scale 5:1		Free size tol.		Ref.		Sub.	
											Page 1/1	